

KTS

Thermal shopfront.

Security is essential when we talk about a front door. KTS Thermal shopfront is a robust system that maximizes security and ensures high thermal isolation thanks to thermal breakage. This mix makes this system an ideal choice for any kind of shopfront.



Features

- Range of shop front and door sections available
- Double glazed unit's standard throughout for improved thermal efficiency
- One section door leaf makes for a cost-effective system with little waste
- Mechanical corner joints on doors to make assembly simple
- Shop front and doors available in dual colour



TECHNICAL FEATURES

Design

KTS Thermal shopfront has a logical design based around industry standards. Locks, cylinders, flush bolts, closers and panic (touch & crash) bars can be easily sourced.

Features

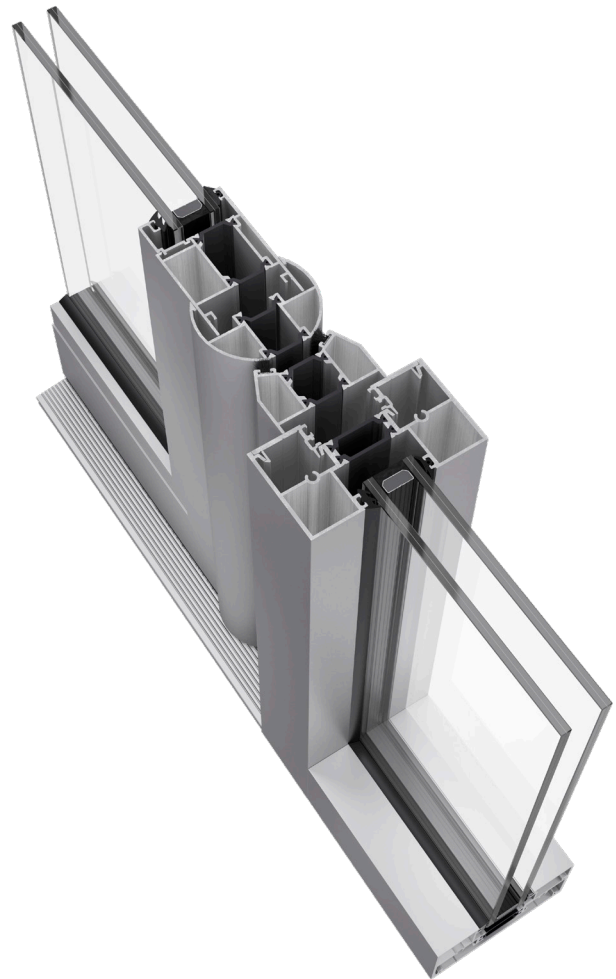
KTS Thermal door is manufactured from one section minimising waste. Furthermore, the sash section is supplied in 6,7 m to enable a 1100x2100 mm door to be easily manufactured from just one length. In addition, the standard and anti-finger trap door leaf design, coupled with their fixation to a standard door leaf, is the advantage of the single section design.

Benefits

KTS is a thermally efficient door which gives a U_w value of 1,4 W/m²K. Security is a must in this system giving an increased security option for vulnerable sites. It has been tested to the requirements of PAS 24: 2012 at an independent UKAS accredited test centre.

Possibilities

KTS Thermal shopfront has been intelligently designed to save fabrication time. Door closers are fitted using a clever "T" cleat avoiding the need to drill the header bar, maintaining integrity and square cut. This system has a complete range of threshold options incorporating a fully rebated cill giving fabricator the choice to suit the application.



Maximum leaf size	1150x2400 mm
Maximum weight	65 kg
Maximum glazing	28,8 mm framing 32,8 mm door
Polyamide	24/32 mm
U_w value	1,4 W/m ² K

PAS 24 Security

